

WINIDEN

威力電科技股份有限公司



零件代理產品：NICHICON、TEEX、Supersemi、others



智能機器：專業規畫設置擺放、租賃服務



威力電科技股份有限公司



營業項目

半導體代理通路部門

[Nichicon](#) 尼吉康電容器

[Trex](#) 巨風半導體

[Supersemi](#) 超致半導體

[ESMT](#) 晶豪科技

智能機器部門

智能現磨現泡咖啡茶飲販賣機

智能服務機器人

ESG協助服務部門

協助ESG相關需求服務

WINIDEN

威力電科技股份有限公司



零件代理產品：NICHICON、TEEX、Supersemi、others



智能機器：專業規畫設置擺放、租賃服務



威力電科技股份有限公司



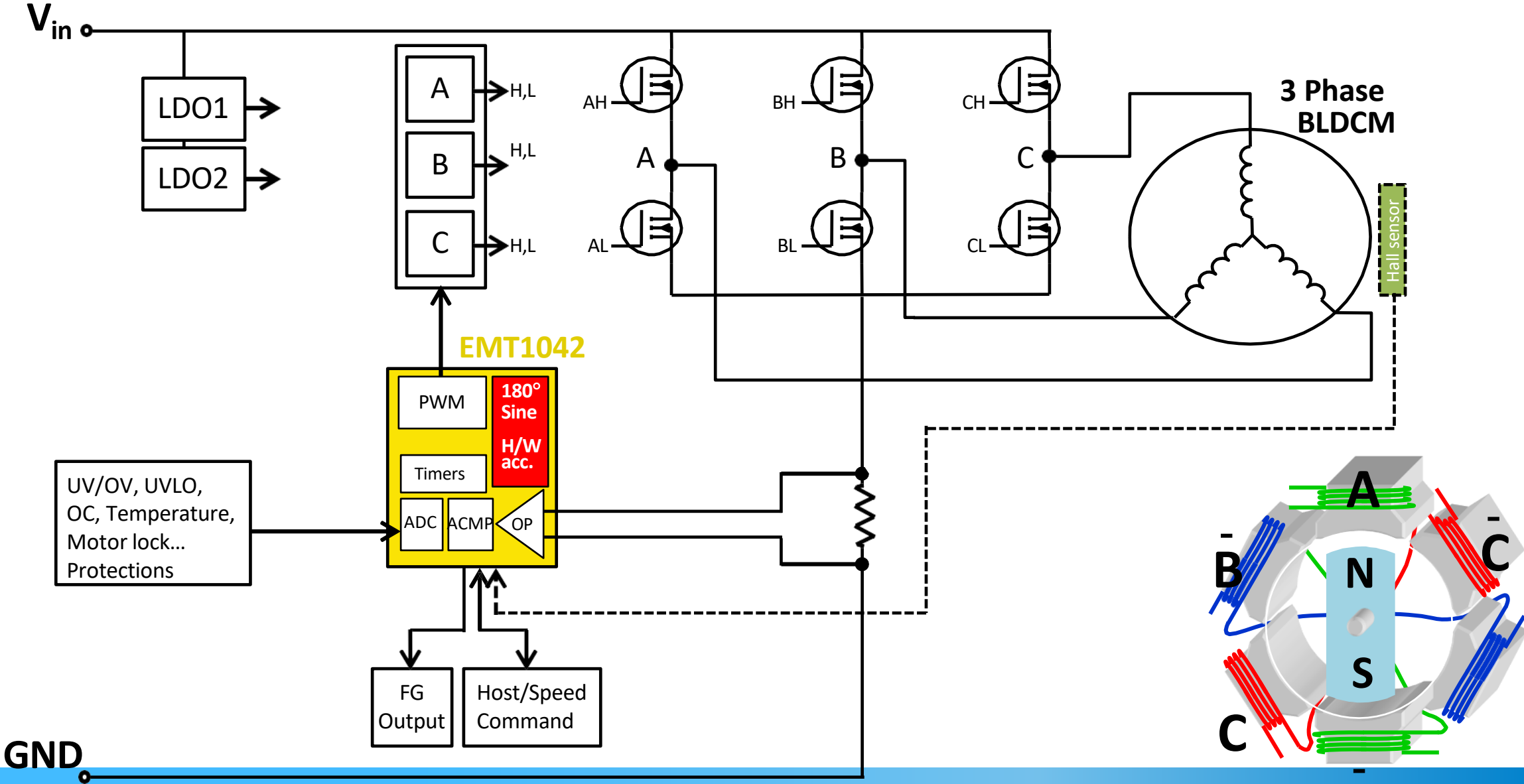
半導體產品資訊

nichicon

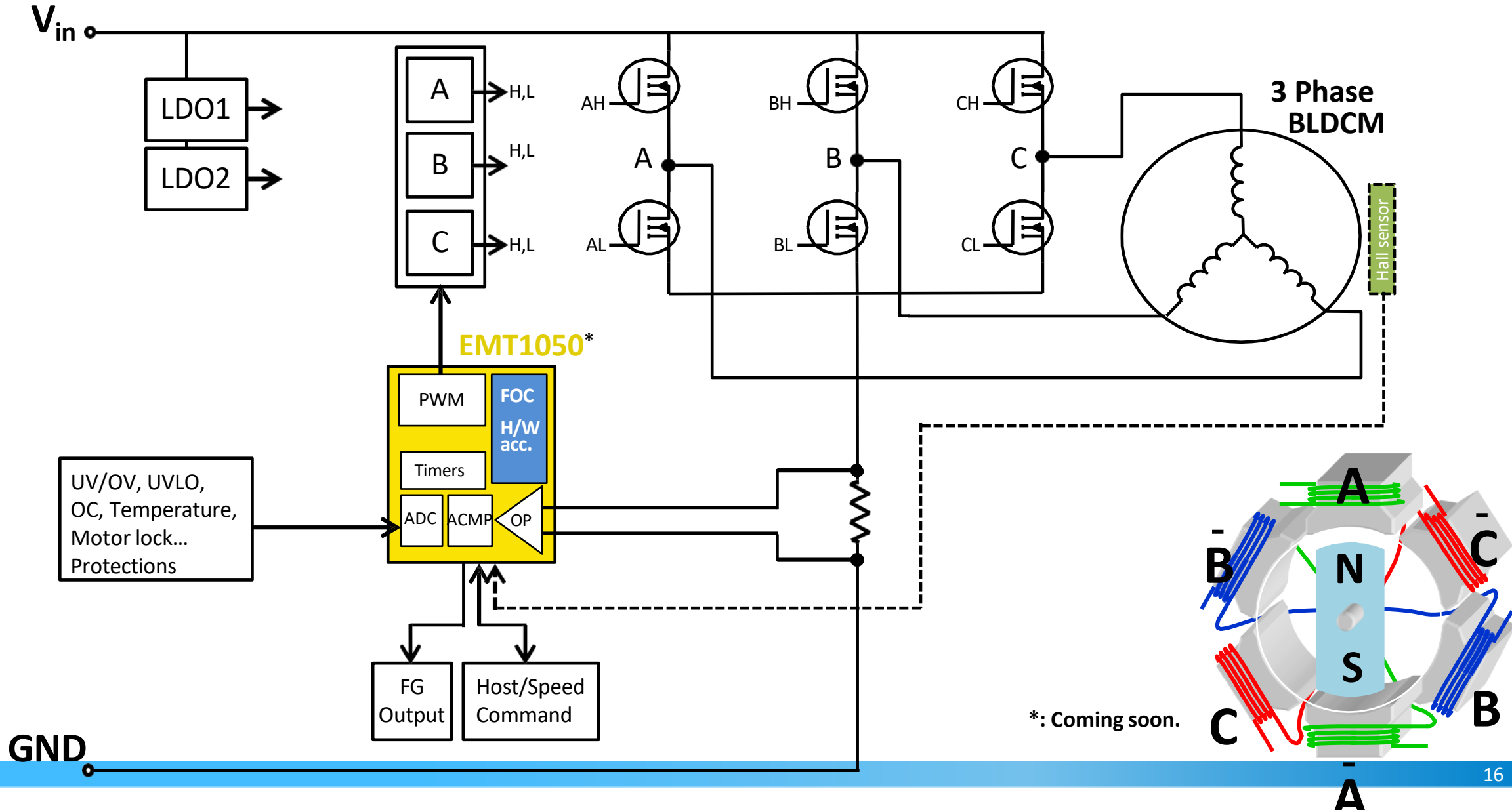


ESMT
晶豪科技

3ph BLDC Motor Control_EMT1042



3ph BLDC Motor Control_EMT1050



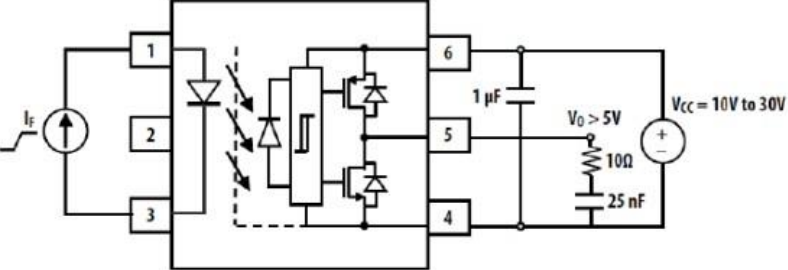

1.5A Gate Drive Photocoupler_EMD2A314

Key Features

- ◆ 1.5 A maximum peak output current
- ◆ Rail-to-rail output voltage
- ◆ 110 ns maximum propagation delay
- ◆ Under Voltage Lock-Out protection (UVLO)
- ◆ Wide operating range: 10 to 30 Volts (V_{CC})
- ◆ Guaranteed performance over $-40^{\circ}\text{C} \sim +110^{\circ}\text{C}$.

Applications

- ◆ IGBT/MOSFET gate drive
- ◆ Uninterruptible power supply
- ◆ Industrial Inverter
- ◆ AC/Brushless DC motor drives
- ◆ Switching power suppliers

SCHEMATIC	PIN DEFINITION	PACKAGE
	<ul style="list-style-type: none">1. Anode2. NC3. Cathode4. V_{SS}5. VO6. V_{CC}	 <p>LSOP-6</p>

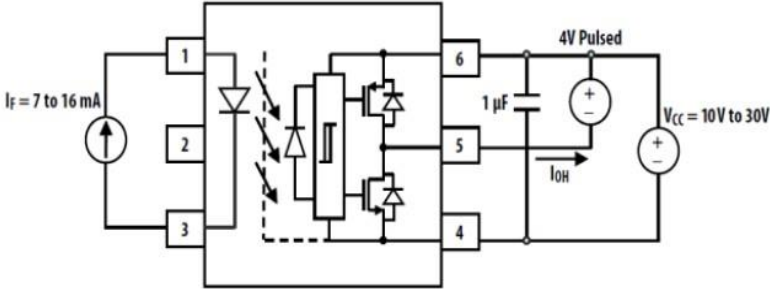

4A Gate Drive Photocoupler_EMD2A343

Key Features

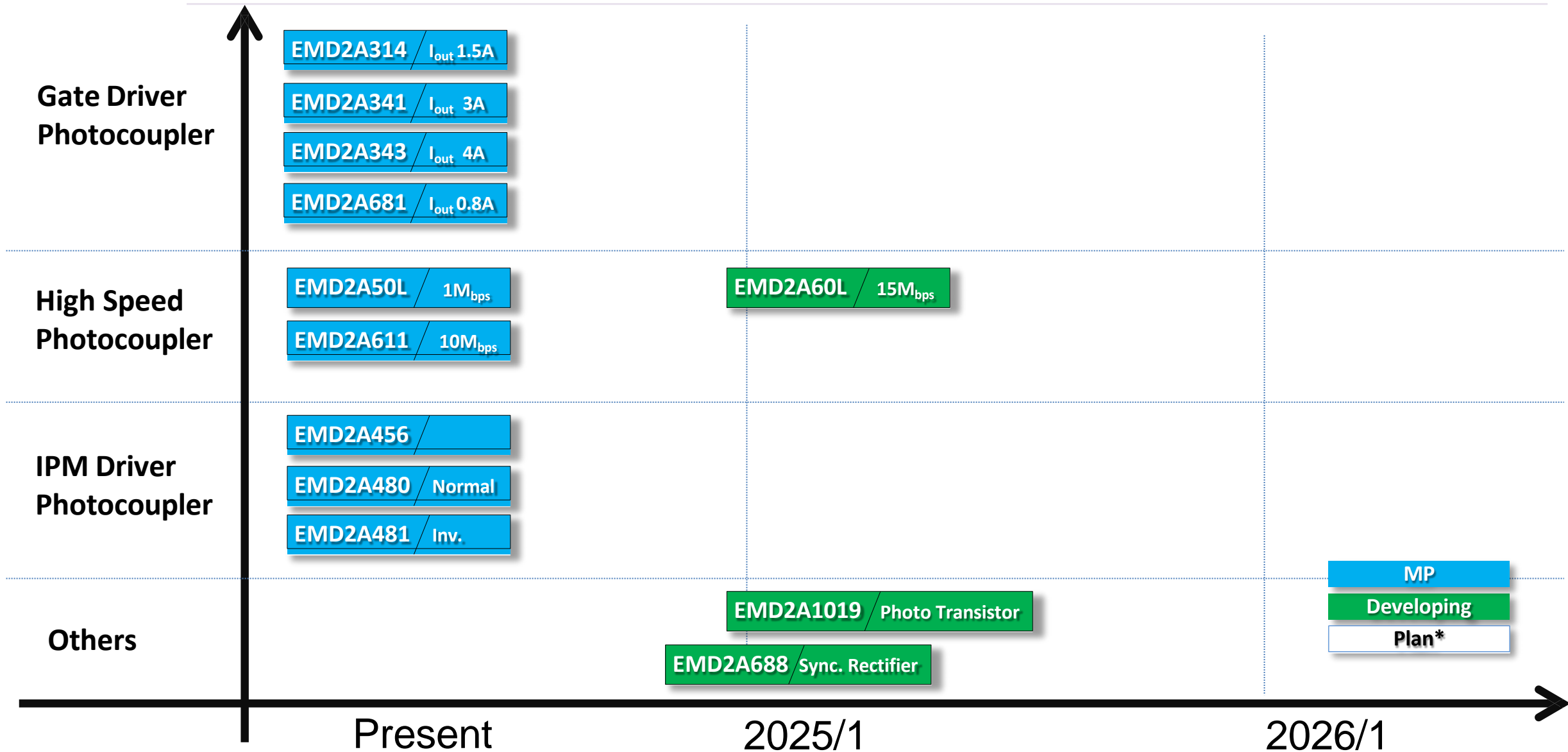
- ◆ 4.0 A maximum peak output current
- ◆ 3.0 A minimum peak output current
- ◆ Rail-to-rail output voltage
- ◆ 110 ns maximum propagation delay
- ◆ Under Voltage Lock-Out protection (UVLO)
- ◆ Wide operating range: 10 to 30 Volts (V_{CC})
- ◆ Guaranteed performance over $-40^{\circ}\text{C} \sim +110^{\circ}\text{C}$.

Applications

- ◆ IGBT/MOSFET gate drive
- ◆ Uninterruptible power supply
- ◆ Industrial Inverter
- ◆ AC/Brushless DC motor drives
- ◆ Switching power suppliers

SCHEMATIC	PIN DEFINITION	PACKAGE
	<ul style="list-style-type: none">1. Anode2. NC3. Cathode4. V_{SS}5. VO6. V_{CC}	 <p>LSOP-6</p>

Photocoupler Product Roadmap



*: TBD. Subject to change.

H Bridge Driver_ EHB0528 _12V/1A

Key Features

- ◆ Low MOSFET On-Resistance: **HS + LS 1Ω**
- ◆ Separate Motor and Logic Supply Pins:
 - Motor VM: 2.8 to 12 V
 - Logic VCC: 2.8 to 5.5V
- ◆ Low-Power Sleep Mode
 - 120nA Maximum Sleep Current
- ◆ Protection Features
 - VCC Under voltage Lockout (UVLO)
 - Over current Protection (OCP)
 - Thermal Shutdown (TSD)
- ◆ Small Package and Footprint
 - TDFN 2x2-8 with Thermal Pad

Applications

- ◆ Surveillance camera IR-cut
- ◆ E-lock
- ◆ Consumer Products
- ◆ Toys
- ◆ Robotics
- ◆ Medical Devices



H Bridge Driver_ EHB0529 _12V/1.8A

Key Features

- ◆ Low MOSFET On-Resistance: **HS + LS 0.3Ω**
- ◆ Separate Motor and Logic Supply Pins:
 - Motor VM: 2.8 to 12 V
 - Logic VCC: 2.8 to 5.5V
- ◆ Low-Power Sleep Mode
 - 120nA Maximum Sleep Current
- ◆ Protection Features
 - VCC Under voltage Lockout (UVLO)
 - Over current Protection (OCP)
 - Thermal Shutdown (TSD)
- ◆ Small Package and Footprint
 - TDFN 2x2-8 with Thermal Pad
 - SOP-8

Applications

- ◆ Surveillance camera IR-cut
- ◆ E-lock
- ◆ Consumer Products
- ◆ Toys
- ◆ Robotics
- ◆ Medical Devices



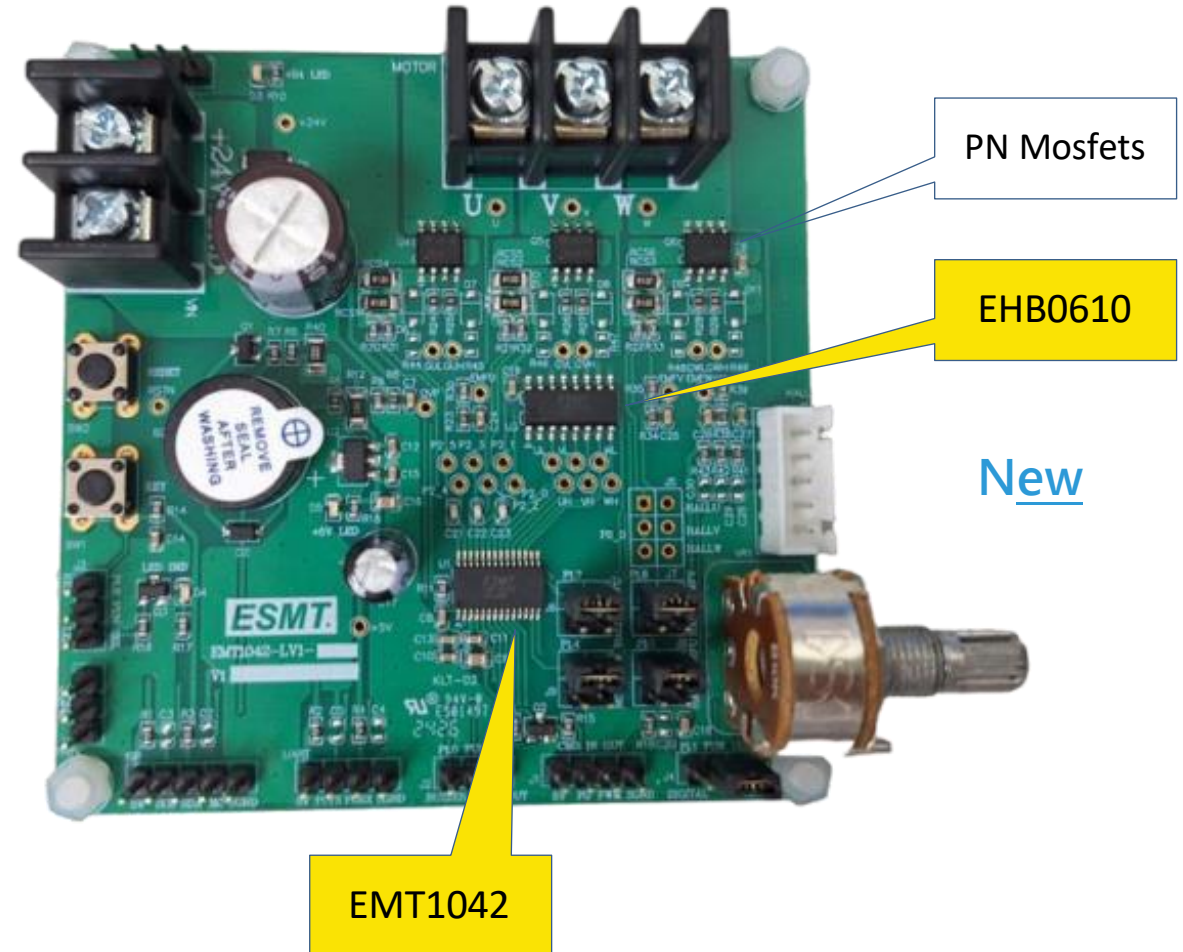
New 3phase 36V PN Gate Driver_ EHB0610

Key features:

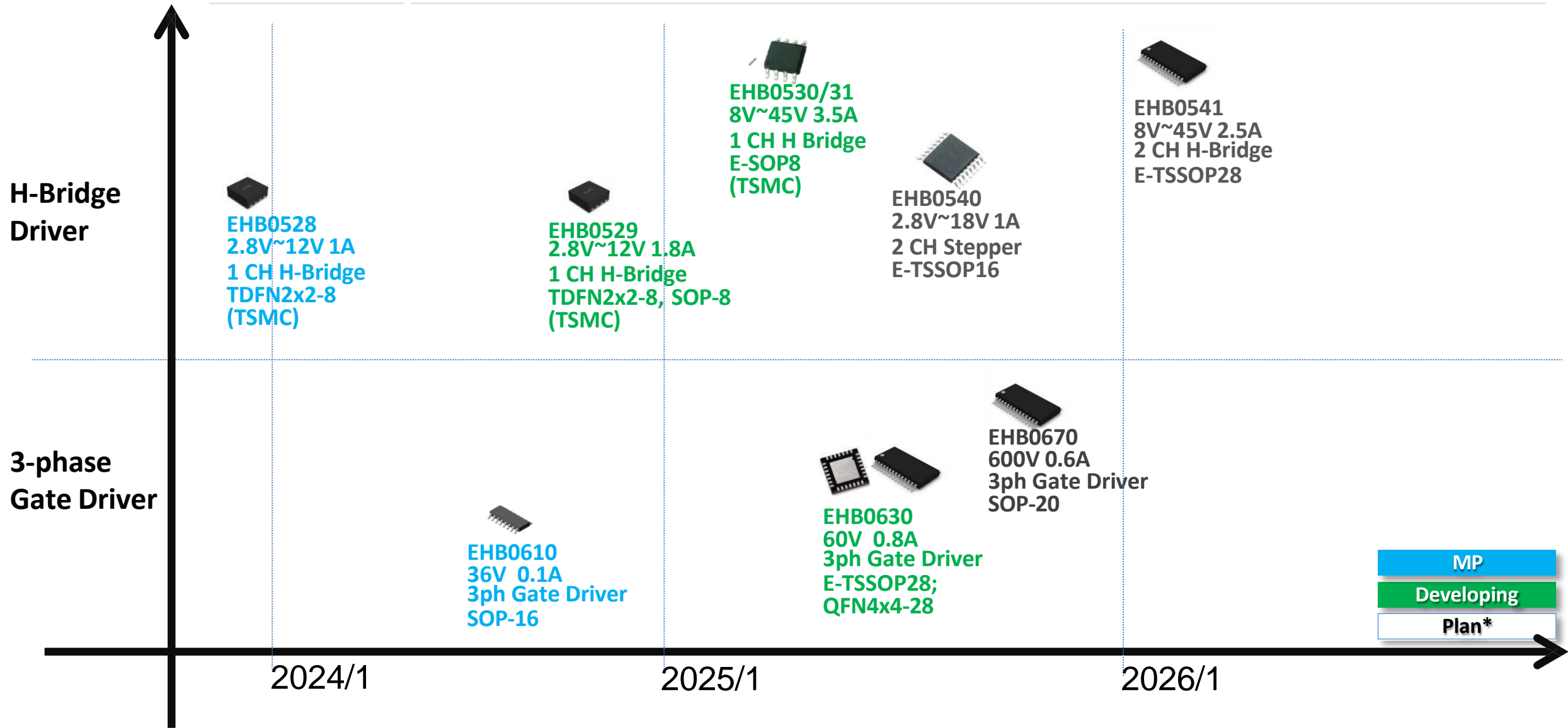
- 8V to 36V Input Voltage Range(V_{bus})
- Output 5V V_{GS} for both PMOS and NMOS
- Independent inputs for high side and low side
- Logic shoot through prevention
- Under voltage lock out protection
- SOP-16 package

Target Applications :

- Under 36V low cost 3ph BLDC fan
- Water pump



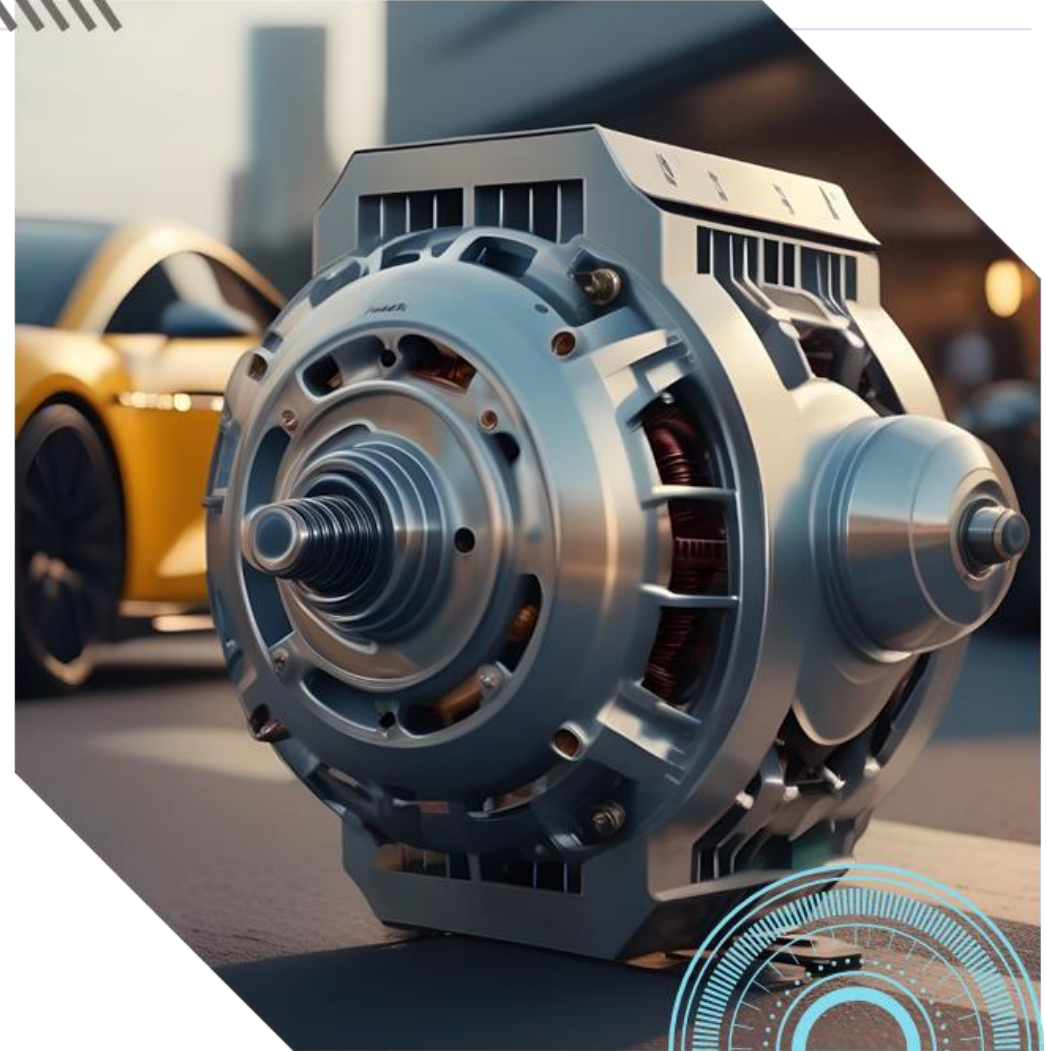
H-Bridge & 3ph Gate Driver Product Roadmap



*: TBD. Subject to change.



DC/DC Power Management



LDO, Low Dropout Regulator Series

POWER AND MOTOR CONTROL APPLICATIONS

Contact Sales Representative : Sugar Lai HCLai@esmt.com.tw Marketing : Stanley Huang YTHuang1@esmt.com.tw

LDO

Part #	Product Status	Package	I _{out} (mA)	V _{in} (Max)	V _{in} (Min)	V _{out}	V _{out} Accuracy	I _q (uA)	Dropout Voltage (V _{out} =3.3V)	Fold-back SCP	Soft-start	Auto Discharge	Remark
EHP878L	Under dev.	TO-92, SOT-23-3, SOT-89-3, SOP-8	100	30	7	Fixed	±5%	300	800mV		N	N	Fixed for 3.3 / 5V
EHP8042	MP	SOT-23-3, SOT-23-5, SOT-89-3, xDFN1x1-4	150	24	2.7	Fixed	±2%	1.5	1200mV@150mA	N	N	N	
EMP8042B	MP	SOT-23-5, SOT-89-3	150	20	3	Adj, Fixed	±1%	13	780mV@150mA V _{out} =5V	N	N	Y	±1% V _{out} Accuracy
EMP8040B	MP	SOT-23-5	150	40	3	Adj	±1%	10	780mV@150mA V _{out} =5V	N	N	Y	±1% V _{out} Accuracy
EMP8041B	MP	SOT-23-5, SOT-89-3	150	40	3	Fixed	±1%	12	780mV@150mA V _{out} =5V	N	N	Y	±1% V _{out} Accuracy
EMP8045	MP	E-SOP-8L	150	32	3	Fixed	±1.5%	10	780mV@150mA V _{out} =5V	Y	N	Y	Automotive Grade
EHP8041	MP	SOT-23-3, SOT-23-5, SOT-89-3, WDFN3x3-8	250	40	2.7	Fixed	±2%	1.5	1200mV@250mA	N	N	N	Fixed for 1.5/1.8/2.5/3.3/5V
EMP8150	MP	SOT-23-5, uDFN1x1-4	250	5.5	1.8	Fixed	±1%	1	220mV@250mA V _{out} =3.3V	Y 50mA	Y	Y	Low I _q : 1µA typical quiescent current at no Load
EHP8150	MP	SOT-23-3, SOT-23-5, uDFN1x1-4	300	5.5	2.5	Fixed	±2%	0.5	400mV@300 mA	N	N	N	Low I _q : 0.5µA typical quiescent current at no Load
EMP8130	MP	SOT-23-5, uDFN1x1-4	300	5.5	1.7	Fixed	±1%	52	260mV@300mA V _{out} =3.3V	Y, 40mA	N	Y	uDFN package. Auto-Grade available.
EMP8731	MP	SOT-23-5	300	5.5	2.2	Adj	±2%	60	260mV@300mA V _{out} =3.0V	N	N	Y	
EMP8965	MP	SOT-23-5, SOT-23-6, TDFN 2x2-6	600	5.5	2.2	Fixed	±2%	110	270mV@600mA	N	Y	N	
EMP8966	MP	SOT-23-5, SOT-23-6	600	5.5	2.2	Adj	±2%	110	270mV@600mA	N	N	N	
EMP8161/A	MP	E-SOP-8L	1000	5.5	1	Adj	±2%	5	90mV@1A V _{out} =0.8V	Y, 150mA	Y(60uS)	Y	NMOS LDO;Low Dropout;Need another Controlled voltage, V _{ctrl}
EMP8166/A	MP	E-SOP-8L, SOT-23-6	1000	5.5	1	Adj	±2%	5	90mV@1A V _{out} =0.8V	Y, 150mA	Y(600uS)	Y	NMOS LDO;Low Dropout;Need another Controlled voltage, V _{ctrl}
EMP8110	MP	SOT-223, SOP-8	1500	6.5	2.5	Adj, Fixed	±2%	65	570mV@1.5A V _{out} =1.8V	Y, 250mA	Y	Y	Fixed or Adj both available
EMP8160/A	MP	E-SOP-8L	2000	5.5	1	Adj, 1.2V	±2%	5	185mV@2A V _{out} =0.8V	Y, 150mA	Y(60uS)	Y	NMOS LDO;Low Dropout;Need another Controlled voltage, V _{ctrl}
EMP8165/A	MP	E-SOP-8L	2000	5.5	1	Adj	±2%	5	185mV@2A V _{out} =0.8V	Y, 150mA	Y(600uS)	Y	NMOS LDO;Low Dropout;Need another Controlled voltage, V _{ctrl}
EMP8170/A	MP	E-SOP-8L	3000	5.5	1	Adj	±2%	5	280mV@3A V _{out} =0.8V	Y, 150mA	Y(60uS)	Y	NMOS LDO;Low Dropout;Need another Controlled voltage, V _{ctrl}
EMP8175/A	MP	E-SOP-8L	3000	5.5	1	Adj	±2%	5	280mV@3A V _{out} =0.8V	Y, 150mA	Y(600uS)	Y	NMOS LDO;Low Dropout;Need another Controlled voltage, V _{ctrl}

Buck Converter Series

BUCK DC/DC

Part #	Product Status	Package	I _{out} (A) ↓	V _{in} (Max)	V _{in} (Min)	Sync	Modulation	V _{out}	f _b (V)	I _q (uA)	Switching Freq (MHz)	PGood	Soft start	Input UVP	OVP	OTP	OCP	Output SCP	Remark
EML3380	MP	SOT23-5, TDFN2x2-6	1	5.5	2.6	Y	PFM/PWM	Adj.	0.6	30	1.5	N	Y	Y	Y	Y	Y	Y	
○ EML3383	MP	SOT23-5	1	5.5	2.6	Y	PFM/PWM	Adj.	0.6	30	1.5	N	Y	Y	Y	Y	Y	Y	
○ EML3350	MP	E-SOP-8	1.5	60	4.5	N	PSM/PWM	Adj.	0.808	600	R _{set} , up to 1.5MHz	N	Y	Y	Y	Y	Y	Y	
○ EML3320	MP	SOT23-5 SOT23-6	2	5.5	2.6	Y	PSM/PWM	Adj.	0.6	45	1	N Y	Y	Y	Y	Y	Y	Y	
○ EML3322	MP	TDFN3x3-10	2/2	5.5	2.6	Y	PSM/PWM	Adj.	0.6	45	1	N	Y	Y	Y	Y	Y	Y	Dual CH
○ EML3321	MP	SOT23-6, TDFN-8L	3	5.5	2.6	Y	PSM/PWM	Adj.	0.6	45	1	Y	Y	Y	Y	Y	Y	Y	
EML3230	MP	E-SOP-8	3	23	4.5	Y	PWM	Adj.	0.923	1100	0.34	N	Adj.	Y	Y	Y	Y	N	
EML3193B	MP	E-SOP-8, TDFN-10L	3	40	4.5	N	PSM/PWM	Adj.	0.808	600	R _{set} , up to 2MHz	N	Y	Y	Y	Y	Y	Y	
○ EML3290	MP	E-SOP-8	3	40	4.5	Y	PSM/PWM	Adj.	0.805	800	R _{set} , up to 2MHz	N	Y	Y	Y	Y	Y	Y	
○ EML3420	MP	E-SOP-8	6	40	4.5	N	PSM/PWM	Adj.	0.8	330	R _{set} , up to 2.1MHz	N	Y	Y	Y	Y	Y	Y	
EML3421	MP	E-SOP-8	6	40	4.5	N	PSM/PWM	Adj.	0.8	330	R _{set} , up to 2.1MHz	N	Y	Y	Y	Y	Y	Y	

Boost Converter Series

BOOST DC/DC

Part #	Product Status	Package	Sync	I _{out} (A)	V _{in} (Max)	V _{in} (Min)	V _{out} (Max)	V _{out} (Min)	Modulation	Output Type	I _q (uA)	Switching Freq (MHz)	True Shutdown	Remark
EMH7070	MP	SOT-23-6	N	1A@5V	5.5	2.6	12	-	PWM	Adj	190	1	N	
EMH7090	MP	SOP-8-E	N	4A@5V	12	2.9	14	5	PWM	Adj	150	0.5	N	

WINIDEN

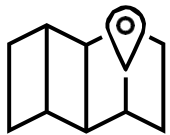
威力電科技股份有限公司



威力電科技股份有限公司

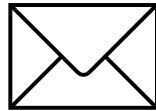


聯絡我們



公司地址

新北市中和區板南路490號7樓



信箱1：sandy.lee@winiden.com.tw

信箱2：ct@winiden.com.tw



電話：(02)2226-1819

傳真：(02)-2226-3819

維護專線1：0926-086-299

維護專線2：0936-843-853



官方LineID

@852guho

